

## INSTALLATION GUIDE

### LIGHT INSTALLATION REQUIREMENTS

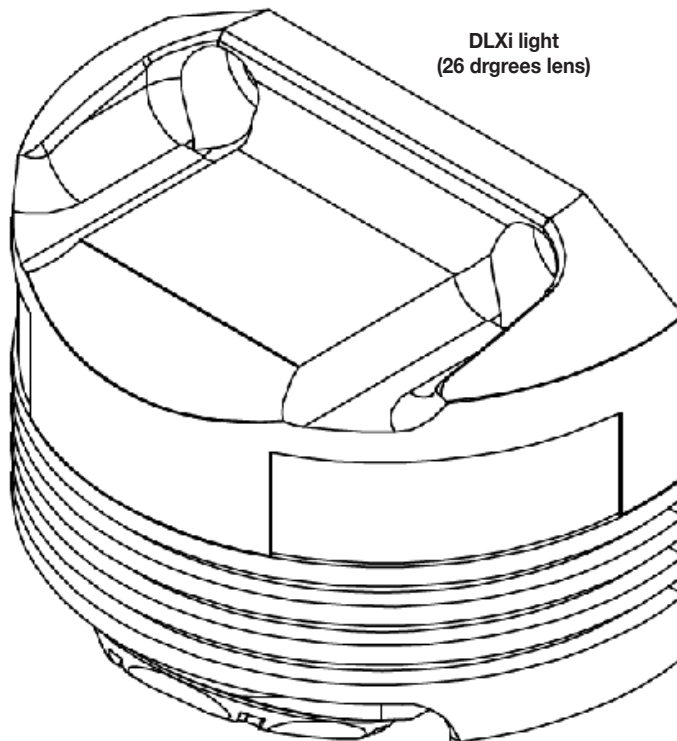
This installation guide is a general version, to obtain an exact drawing of this light please use the QR code to the left and type the part number to get to the drawing and data.

The Lopolight DLX comes in intensities for all sailing boats between 7 and 50 meters – with 3 different visibility ranges, 2nm for up to 12 meters, 3nm for up to 20 meters and 5nm for up to 50 meters.

Overleaf you will find the mounting instructions, please follow these carefully



PRODUCT PAGE



DLXi light  
(26 degrees lens)

### MAINTENANCE:



#### Cleaning your product:

- Wipe off your product with a normal detergent, on a damp cloth. **DO NOT** use alcohol or thinner for cleaning your light – this could damage the lens.



#### Troubleshooting:

If the light does not function:

- Check that you have a supply Voltage between 10 and 32 Volt DC.
- Check that the polarity is right (you will not damage the Lopolight by accidentally wiring the polarity wrong).



#### End of life signaling:

Your Lopolight product has a advanced time function inside that ensures that the light has required intensity over a 50.000-hour projected lifetime. The light will signal to you when it is getting to the end of its useful life. The following signals can be observed:

#### All OK:

5 seconds after turning on the light it will go dark for 0,1 second and turn on again. This is just a check for you to assure that the microprocessor is working.

#### Less than 2000 working hours left:

The dark period is extended to 2 seconds: you should change the light at your next service within the next 12 months.

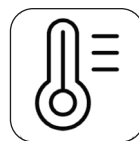
#### Light Expired:

The dark period is extended to 5 seconds: You should change the light immediately. (The light will still be working, even in the expired state)

### WARRANTY:



- This product is covered by our 5-year limited warranty.
- Claim a warranty using [www.lopolight.com/warranty](http://www.lopolight.com/warranty) or QR code.



#### Specified Ambient temperature area:

$T_{amb}$ : -25°C to +55°C



#### Observe:

Make sure that the power cable is securely managed, avoid any pull on the cable, avoid any sharp bending or twisting. Do not drill or manipulate the light. Any of this will void the warranty

### APPROVALS:



#### The light in this package is type approved to the following standards:

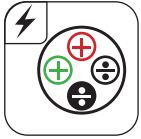
- EN-14744, UL-1104, COLREG72, IEC 60945

#### Recognized by the following authorities:

- IMO, MED (EU-wheelmark), MER, USCG



## CONNECTING POWER:

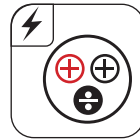


### **Double light, 4 leads.**

DC 10 to 32 Volts.  
(12 and 24 Volt systems).

**Masthead light:** Red is positive, Black is negative (GND)

**Decklight:** Green is negative, White is positive (GND)



### **Single light with additional function. 3 leads.**

DC 10 to 32 Volts.  
(12 and 24 Volt systems).

Red is positive, function A  
White is positive, function B  
Black is negative (0 Volt)

## MOUNTING: CHECK & ENSURE PROCESS

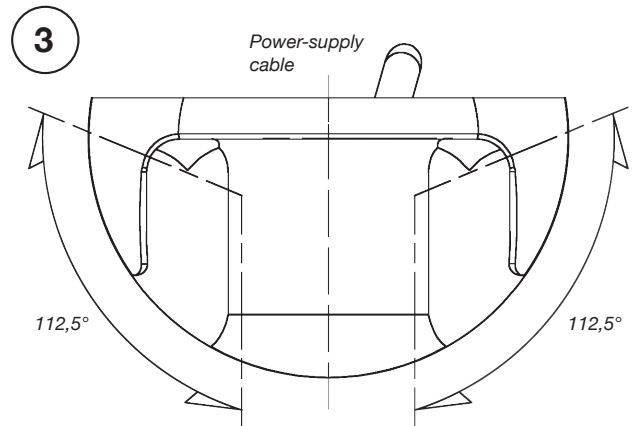
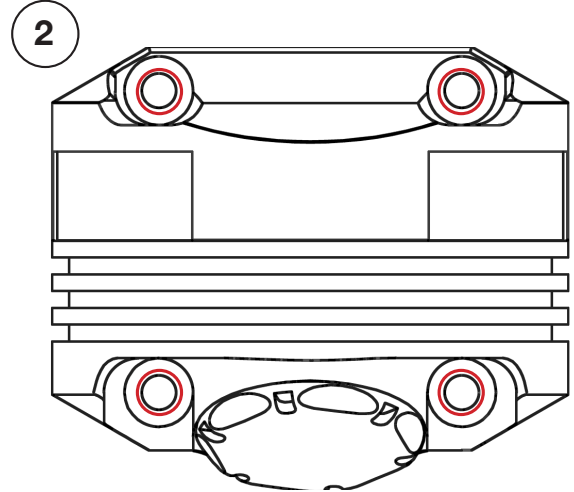
1) Make sure that location chosen has no obstructions for the light output and the surface is fair, straight and flat

2) Prepare the installation creating a flat surface facing towards the bow

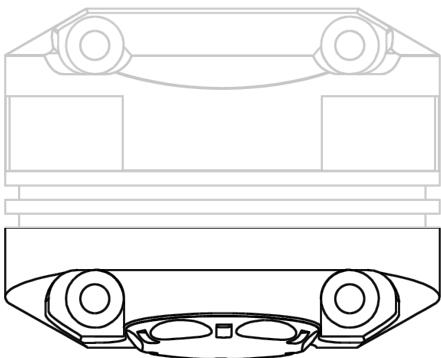
3) Mark the power cable-holes. Technical drawing files can be download from product page on the website. Use the QR code

4) Check that the power-supply cables are disconnected from any power-source at the feed-end. (Typically, Lopolight NLC system mounted in wheelhouse)

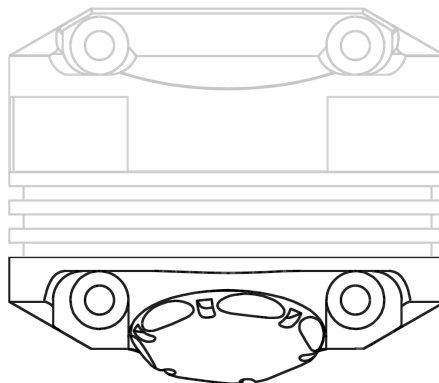
5) The decklight is best with placement 6 meters above deck. For more information check drawing by using the QR code



## LIGHT TYPES



DLX light (8 degrees lens)



DLXi light (26 degrees lens)

