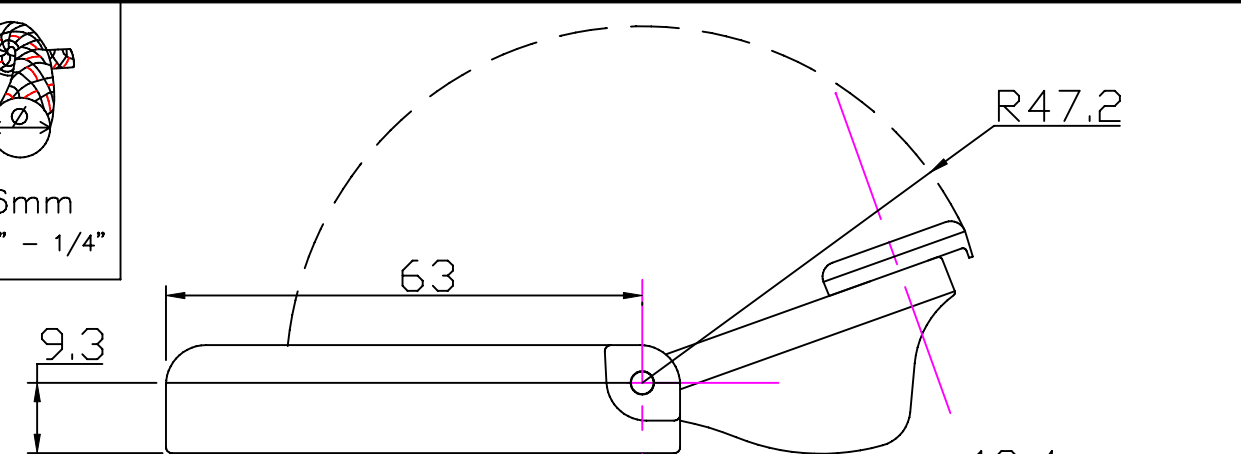
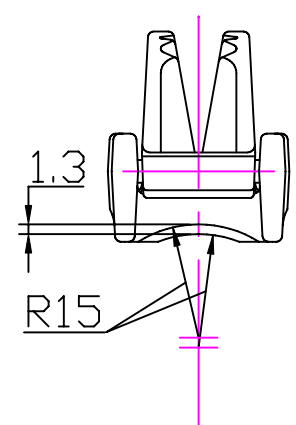
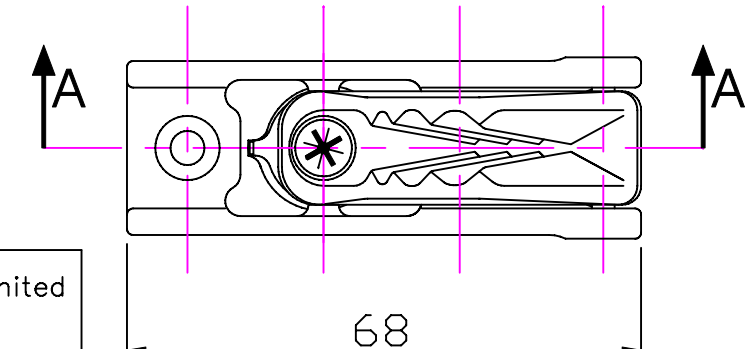
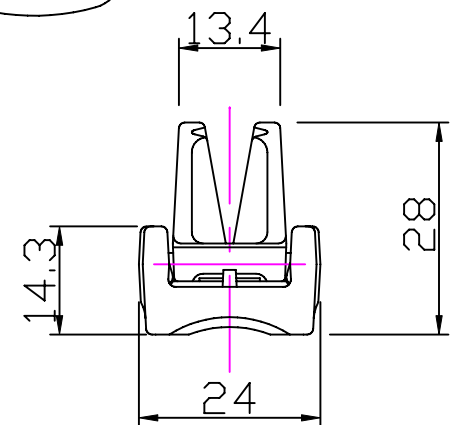
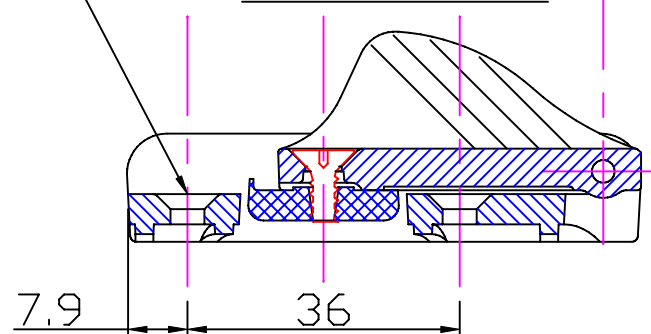


2 Holes $\phi 4.5$
countersunk $\phi 8.5 \times 90^\circ$



Section 'AA'



Clamcleat®
Rope cleats

Clamcleats Limited
Watchmead
Welwyn Garden City
Hertfordshire AL7 1AP
England

Telephone +44 (0)1707 330101
Fax +44 (0)1707 321269
<http://www.clamcleat-rope-cleats.com>

Scale 1:1
All dimensions in mm.

Issue: 2. May 2006
ID257.dwg

Material:
Cleat - Diecast Aluminium
Base - Acetal

Installation Drawing for:-
CL257
Auto - Release
Racing Mini